



SYSTECH J.Schnyder GmbH

www.systemech-gmbh.ch

UMDS

ESP32-NODEMCU

Beschreibung V 1.0

Print für ein ESP32-NODEMCU-Modul
PCB for the ESP32-NODEMCU-Module

Inhalt

Shortform	2
Beschrieb / Description / Descrizione	3
Steckerbelegung / Pinout / Conessioni	4
J301 +3.3V-BUS from Module	4
J302 +5V-BUS to Module	4
J401 serielles Interface	4
J402 FTDI-Power	4
J404 /RESET	4
X101, XE Bus Stecker	5
Stückliste	6
Links / Colegamenti	7
Anhang	8

Shortform



SYSTECH
J.Schnyder GmbH

www.systemech-gmbh.ch

ESP32-NODEMCU

Dimension:	100mm x 76.2mm
	Version 1.0

Beschrieb / Description / Descrizione

Print für ein 30pol ESP32-NODEMCU-Modul.

Steckerbelegung / Pinout / Conessioni

J301 +3.3V-BUS from Module

1	3.3V Module
2	to +3.3V BUS

J302 +5V-BUS to Module

1	+5V BUS
2	to VIN (Module)

J401 serielles Interface

1	GND
2	FTDI-/CTS (RTS0)
3	FTDI-VCC
4	FTDI-TXD (RXD0)
5	FTDI-RXD (TXD0)
6	FTDI-/RTS (CTS0)

J402 FTDI-Power

1	+3.3V
2	FTDI-VCC

J404 /RESET

1	GND
2	/RESET

X101, XE Bus Stecker

1A	+3.3V	1C	+3.3V
2A	+3.3V	2C	+3.3V
3A	+5V	3C	+5V
4A	+5V	4C	+5V
5A	PA0/GP0	5C	PA1/GP1
6A	PA2/GP2	6C	PA3/GP3
7A	PA4/GP4	7C	PA5/GP5
8A	PA6/GP6	8C	PA7/GP7
9A	PB0/GP8	9C	PB1/GP9
10A	PB2/GP10	10C	PB3/GP11
11A	PB4/GP12	11C	PB5/GP13
12A	PB6/GP14	12C	PB7/GP15
13A	PC0/GP16	13C	PC1/GP17
14A	PC2/GP18	14C	PC3/GP19
15A	PC4/GP20	15C	PC5/GP21
16A	PC6/GP22	16C	PC7/GP23
17A	PD0/GP24	17C	PD1/GP25
18A	PD2/GP26	18C	PD3/GP27
19A	PD4/GP28	19C	PD5/GP29
20A	PD6/GP30	20C	PD7/GP31
21A	PE0/GP32	21C	PE1/GP33
22A	PE2/GP34	22C	PE3/GP35
23A	PE4/GP36	23C	PE5/GP37
24A	PE6/GP38	24C	PE7/GP39
25A	IRQ	25C	/RESET
26A	PWR	26C	PWR
27A	PWR	27C	PWR
28A	PWR	28C	PWR
29A	GND	29C	GND
30A	GND	30C	GND
31A	GND	31C	GND
32A	GND	32C	GND

Stückliste

Part	Value	Device	Package
IC301	ESP32-NODEMCU	ESP32-NODEMCU	ESP32-NODEMCU-SMD
J301	CON02X1SMD	CON02X1SMD	1X02SMD
J302	CON02X1SMD	CON02X1SMD	1X02SMD
J401	CON06X1SMD	CON06X1SMD	1X06SMD
J402	CON02X1SMD	CON02X1SMD	1X02SMD
J404	CON02X1SMD	CON02X1SMD	1X02SMD
LED401	LED-1206	LED-1206	LED-1206
R401	1K	R-1206	1206
SW401	LSG	LSG	LSG
X101		MAC64LE	MAC64L male
XE		FAC64W	FAC64R female
Print	ESP32-NODEMCU	V 1.0	

Links / Colegamenti

Systech J.Schnyder GmbH

www.systech-gmbh.ch

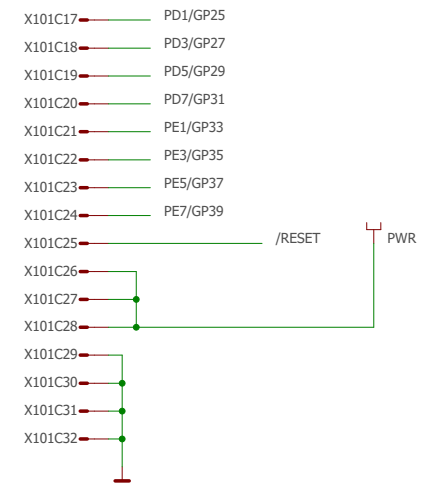
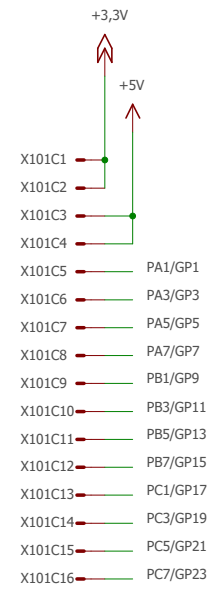
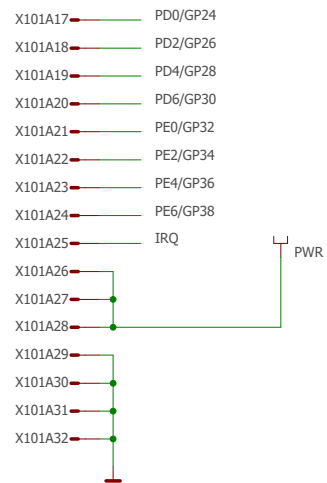
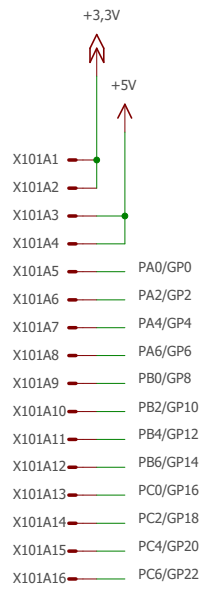
Entwicklung von Hard- und Software

Schulungs-Systeme

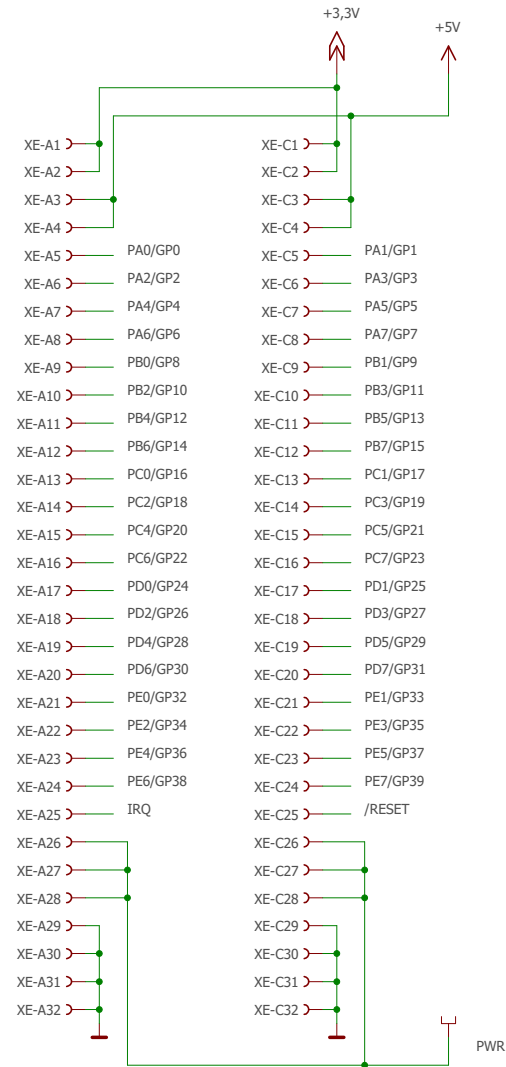
Kurse für Maker

Anhang

- Schema
- Bestückungspläne
- Print-Layouts



SYSTECH J.Schnyder GmbH	
TITLE: ESP32-NODEMCU	
Document Number:	REV:
Date: 26.01.2025 22:22	Sheet: 1/4



SYSTECH J.Schnyder GmbH

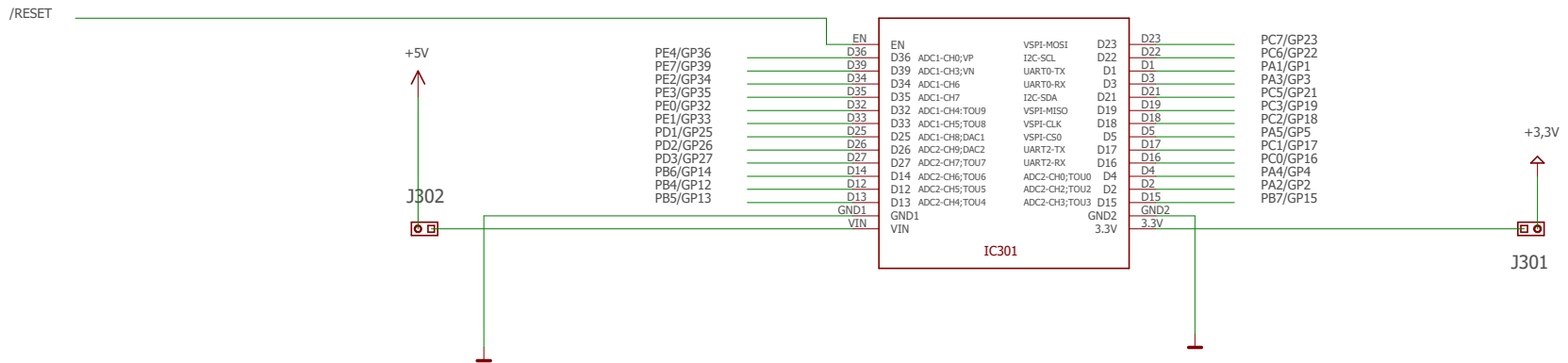
TITLE: ESP32-NODEMCU

Document Number:

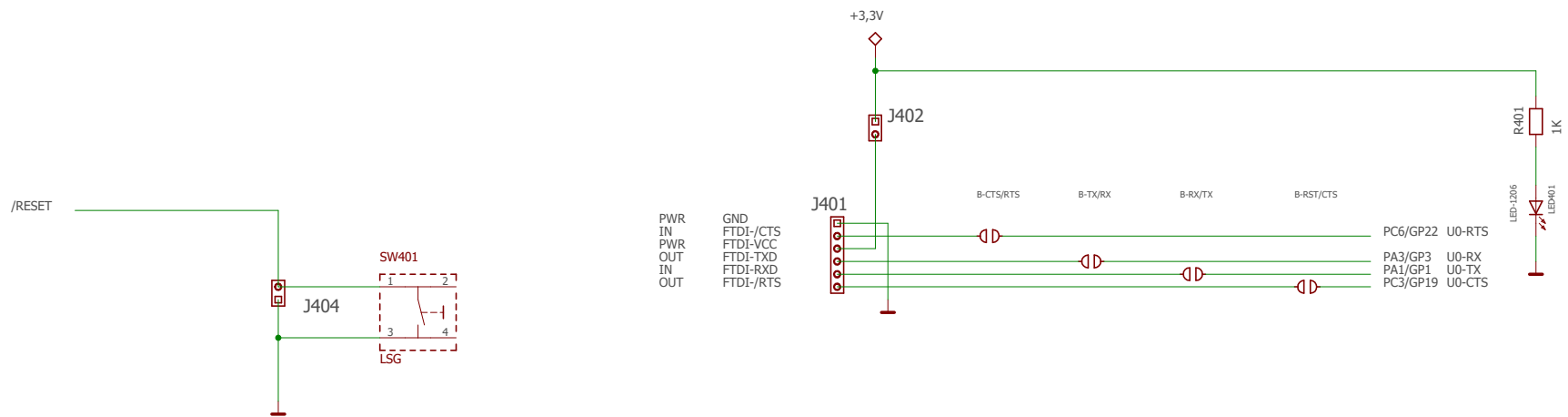
REV:

Date: 26.01.2025 22:22

Sheet: 2/4



SYSTECH J.Schnyder GmbH	
TITLE: ESP32-NODEMCU	
Document Number:	REV:
Date: 26.01.2025 22:22	Sheet: 3/4



SYSTECH J.Schnyder GmbH	
TITLE: ESP32-NODEMCU	
Document Number:	REV:
Date: 26.01.2025 22:22	Sheet: 4/4

