



**SYSTECH J.Schnyder GmbH**

www.systemech-gmbh.ch

# UMDS

## ESP32-NODEMCU30-38

Beschreibung V 1.0

Print für ein ESP32-NODEMCU-Modul  
PCB for the ESP32-NODEMCU-Module

### Inhalt

Shortform .....	2
Beschrieb / Description / Descrizione .....	3
Steckerbelegung / Pinout / Conessioni .....	4
J301 +3.3V-BUS from Module .....	4
J302 +5V-BUS to Module .....	4
J401 serielles Interface .....	4
J402 FTDI-Power .....	4
J404 /RESET .....	4
X101, XE Bus Stecker .....	5
Stückliste .....	6
Links / Colegamenti .....	7
Anhang .....	8

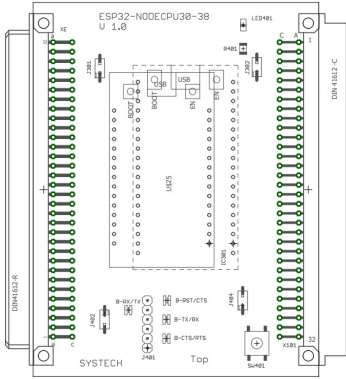
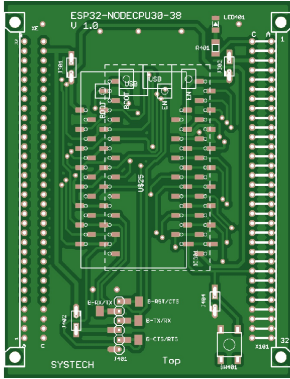
# Shortform



**SYSTECH**  
**J.Schnyder GmbH**

[www.systemech-gmbh.ch](http://www.systemech-gmbh.ch)

## ESP32-NODEMCU30-38

		
Dimension: 100mm x 76.2mm		
		Version 1.0

## **Beschrieb / Description / Descrizione**

Print für ein 30pol oder 38pol ESP32-NODEMCU-Modul.

## Steckerbelegung / Pinout / Conessioni

### J301 +3.3V-BUS from Module

1	3.3V Module
2	to +3.3V BUS

### J302 +5V-BUS to Module

1	+5V BUS
2	to VIN (Module)

### J401 serielles Interface

1	GND
2	FTDI-/CTS (RTS0)
3	FTDI-VCC
4	FTDI-TXD (RXD0)
5	FTDI-RXD (TXD0)
6	FTDI-/RTS (CTS0)

### J402 FTDI-Power

1	+3.3V
2	FTDI-VCC

### J404 /RESET

1	GND
2	/RESET

**X101, XE Bus Stecker**

<b>1A</b>	+3.3V	<b>1C</b>	+3.3V
<b>2A</b>	+3.3V	<b>2C</b>	+3.3V
<b>3A</b>	+5V	<b>3C</b>	+5V
<b>4A</b>	+5V	<b>4C</b>	+5V
<b>5A</b>	PA0/GP0	<b>5C</b>	PA1/GP1
<b>6A</b>	PA2/GP2	<b>6C</b>	PA3/GP3
<b>7A</b>	PA4/GP4	<b>7C</b>	PA5/GP5
<b>8A</b>	PA6/GP6	<b>8C</b>	PA7/GP7
<b>9A</b>	PB0/GP8	<b>9C</b>	PB1/GP9
<b>10A</b>	PB2/GP10	<b>10C</b>	PB3/GP11
<b>11A</b>	PB4/GP12	<b>11C</b>	PB5/GP13
<b>12A</b>	PB6/GP14	<b>12C</b>	PB7/GP15
<b>13A</b>	PC0/GP16	<b>13C</b>	PC1/GP17
<b>14A</b>	PC2/GP18	<b>14C</b>	PC3/GP19
<b>15A</b>	PC4/GP20	<b>15C</b>	PC5/GP21
<b>16A</b>	PC6/GP22	<b>16C</b>	PC7/GP23
<b>17A</b>	PD0/GP24	<b>17C</b>	PD1/GP25
<b>18A</b>	PD2/GP26	<b>18C</b>	PD3/GP27
<b>19A</b>	PD4/GP28	<b>19C</b>	PD5/GP29
<b>20A</b>	PD6/GP30	<b>20C</b>	PD7/GP31
<b>21A</b>	PE0/GP32	<b>21C</b>	PE1/GP33
<b>22A</b>	PE2/GP34	<b>22C</b>	PE3/GP35
<b>23A</b>	PE4/GP36	<b>23C</b>	PE5/GP37
<b>24A</b>	PE6/GP38	<b>24C</b>	PE7/GP39
<b>25A</b>	IRQ	<b>25C</b>	/RESET
<b>26A</b>	PWR	<b>26C</b>	PWR
<b>27A</b>	PWR	<b>27C</b>	PWR
<b>28A</b>	PWR	<b>28C</b>	PWR
<b>29A</b>	GND	<b>29C</b>	GND
<b>30A</b>	GND	<b>30C</b>	GND
<b>31A</b>	GND	<b>31C</b>	GND
<b>32A</b>	GND	<b>32C</b>	GND

## Stückliste

Part	Value	Device	Package
IC301	ESP32-NODEMCU	ESP32-NODEMCU	ESP32-NODEMCU-SMD
U\$25	ESP32-NODEMCU38	ESP32-NODEMCU38	ESP32-NODEMCU38-SMD
J301	CON02X1SMD	CON02X1SMD	1X02SMD
J302	CON02X1SMD	CON02X1SMD	1X02SMD
J401	CON06X1SMD	CON06X1SMD	1X06SMD
J402	CON02X1SMD	CON02X1SMD	1X02SMD
J404	CON02X1SMD	CON02X1SMD	1X02SMD
LED401	LED-1206	LED-1206	LED-1206
R401	1K	R-1206	1206
SW401	LSG	LSG	LSG
X101		MAC64LE	MAC64L male
XE		FAC64W	FAC64R female
Print	ESP32-NODEMCU30-38	V 1.0	

Links / Colegamenti

**Systech J.Schnyder GmbH**

[www.systech-gmbh.ch](http://www.systech-gmbh.ch)

Entwicklung von Hard- und Software

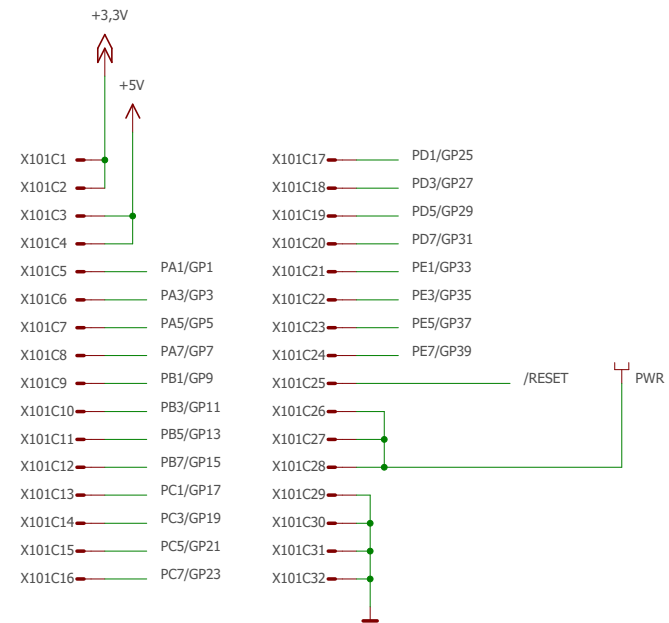
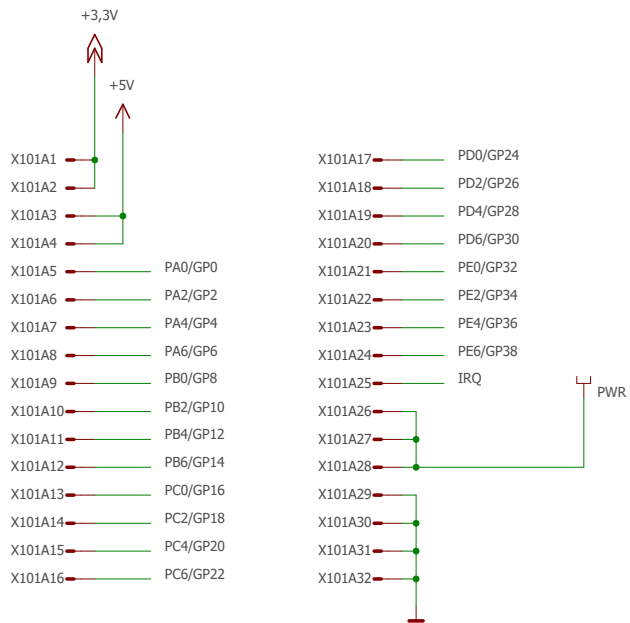
Schulungs-Systeme

Kurse für Maker

## **Anhang**

- Schema
- Bestückungspläne
- Print-Layouts





SYSTECH J.Schnyder GmbH

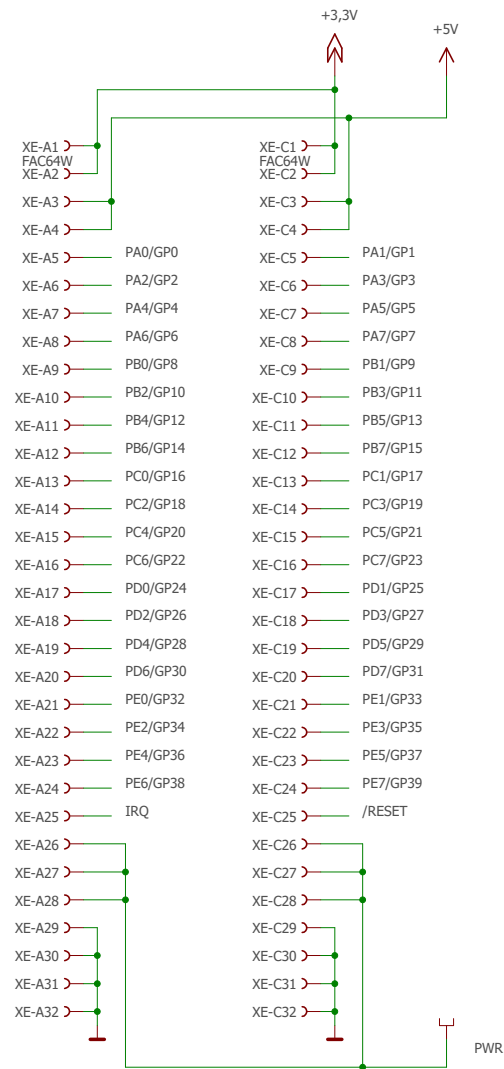
TITLE: ESP32-NODEMCU30-38

Document Number:

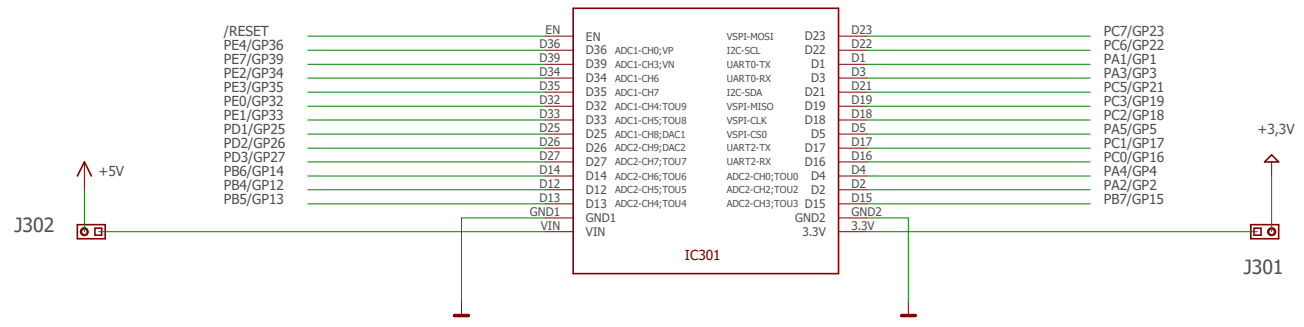
REV:

Date: 15.01.2024 16:43

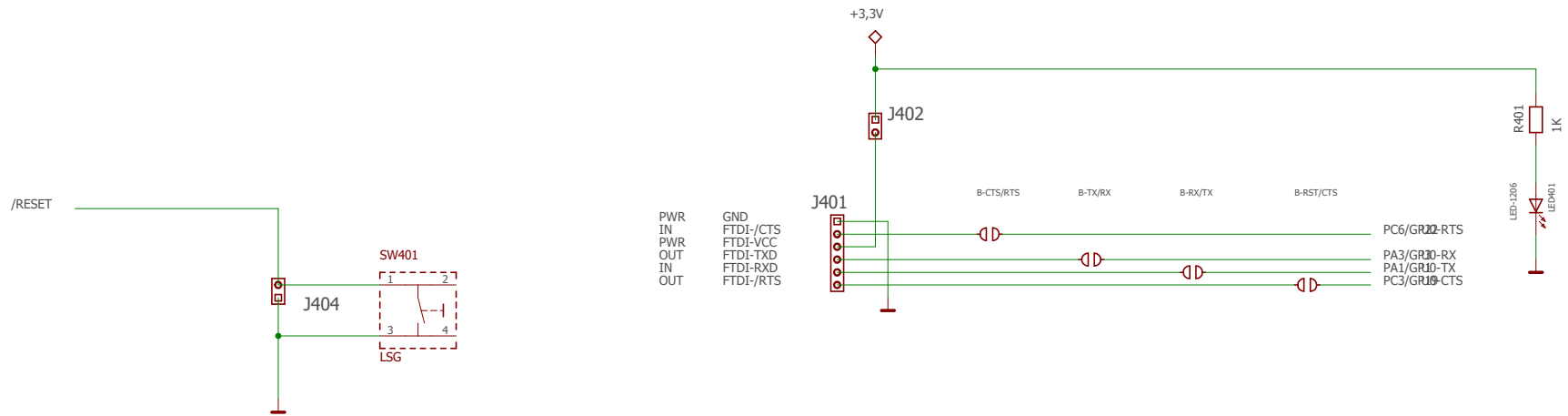
Sheet: 1/5



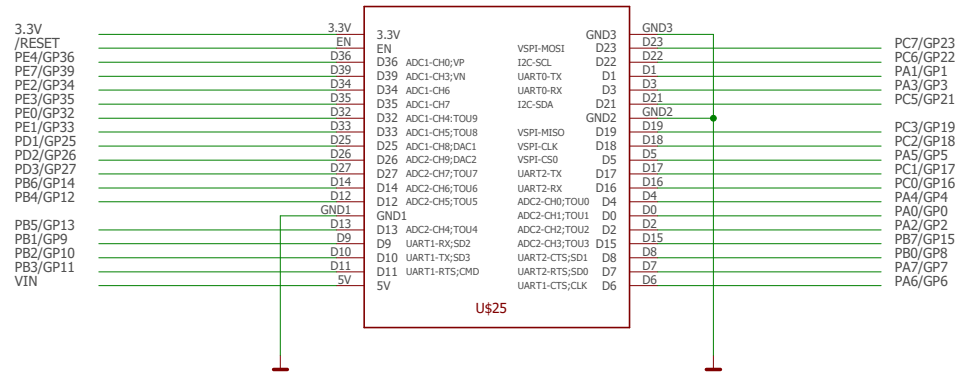
SYSTECH J.Schnyder GmbH	
TITLE: ESP32-NODEMCU30-38	
Document Number:	REV:
Date: 15.01.2024 16:43	Sheet: 2/5



SYSTECH J.Schnyder GmbH	
TITLE: ESP32-NODEMCU30-38	
Document Number:	REV:
Date: 15.01.2024 16:43	Sheet: 3/5



SYSTECH J.Schnyder GmbH	
TITLE: ESP32-NODEMCU30-38	
Document Number:	REV:
Date: 15.01.2024 16:43	Sheet: 4/5



SYSTECH J.Schnyder GmbH	
TITLE: ESP32-NODEMCU30-38	
Document Number:	REV:
Date: 15.01.2024 16:43	Sheet: 5/5

